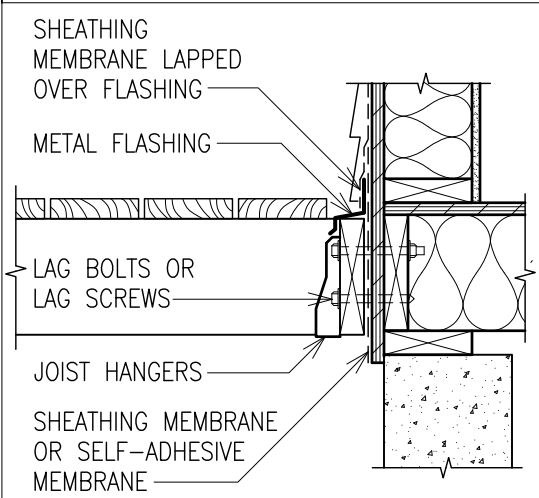


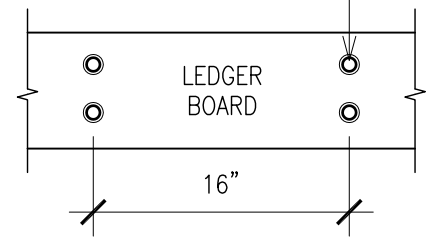
TYPICAL ATTACHED DECK PLAN

STAIRS (IF APPLICABLE):  
 STAIR LOCATION TO BE SHOWN ON SITE PLAN.  
 -STAIRS STRINGERS SHALL BE PROPERLY FASTENED TO AT LEAST 38mm (1.5") OF SOLID LUMBER ON DECK.  
 -STAIR RISERS SHALL BE OF UNIFORM HEIGHT IN ANY ONE FLIGHT.  
 -STAIR RUN SHALL BE OF UNIFORM DEPTH IN ANY ONE FLIGHT.

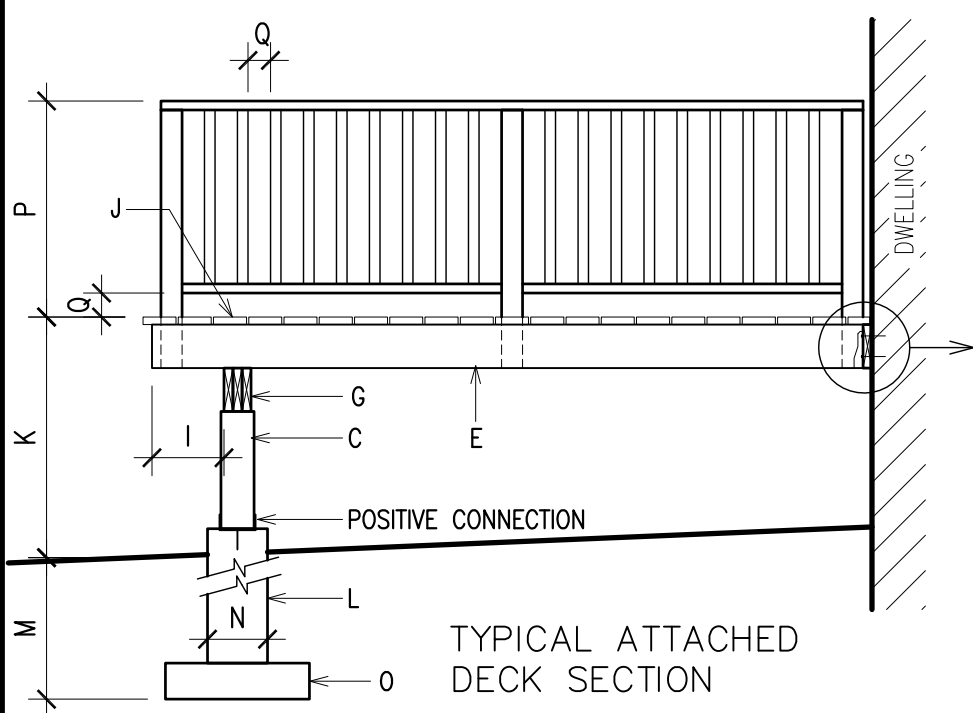


CONNECTION SECTION

MINIMUM CONNECTION REQUIREMENT:  
 12mm (1/2") DIAMETER X 100mm (4") LONG LAG BOLTS OR LAG SCREWS SPACED AT 400mm (16") ON CENTER



CONNECTION ELEVATION



TYPICAL ATTACHED DECK SECTION

REQUIRED INFORMATION

- A-DECK LENGTH \_\_\_\_\_
- B-DECK WIDTH \_\_\_\_\_
- C-POST SIZE \_\_\_\_\_
- D-POST SPACING \_\_\_\_\_
- E-JOIST SIZE \_\_\_\_\_
- F-JOIST SPACING \_\_\_\_\_
- G-BEAM SIZE \_\_\_\_\_
- H-BEAM OVERHANG (IF APPLICABLE) \_\_\_\_\_
- I-JOIST CANTILEVER (IF APPLICABLE) \_\_\_\_\_
- J-DECKING \_\_\_\_\_
- K-DECK HEIGHT \_\_\_\_\_
- L-FOOTING TYPE \_\_\_\_\_  
 -FOR HELICAL PILES, PROVIDE ENGINEERING DATA FROM HELICAL PILE COMPANY  
 -FOR SONOTUBE FOOTINGS;
- M-FOOTING DEPTH \_\_\_\_\_
- N-SONOTUBE SIZE \_\_\_\_\_
- O-FOOTING SIZE \_\_\_\_\_

- FOR DECKS HIGHER THAN 600mm (2') FROM THE GROUND;
- P-GUARD HEIGHT \_\_\_\_\_
- STAIR GUARD HEIGHT \_\_\_\_\_
- Q-GUARD OPENINGS \_\_\_\_\_

300mm/12" MAX.

JOIST SIZE (in/mm)	ALLOWABLE JOIST CANTILEVER "H"
2x6 / 38x140	NIL
2x8 / 38x184	16" / 400mm
2x10 / 38x235	24" / 600mm

TITLE: **DETAILS OF TYPICAL ATTACHED DECK**

ADDRESS: \_\_\_\_\_

APPLICANT SIGNATURE: \_\_\_\_\_

(BL\_COMMON(K:\FRONT\_COUNTER\TYPICAL FORMS\TYPICAL SKETCHES\DETAILS OF TYPICAL ATTACHED DECK)